

wright *flow*
TECHNOLOGIES

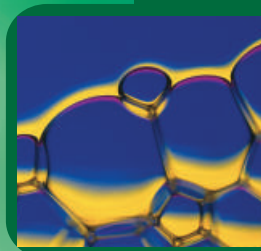
MultiPump

Rotary Lobe Pump



TYPICAL APPLICATIONS

Food, Dairy, Beverages, Paper & Pulp, Chemicals
Pharmaceuticals, Personal Care Products



MultiPump Hygienic in design, robust in construction

The MultiPump is a positive displacement rotary lobe pump designed using the latest innovative computer aided techniques and manufactured to meet today's stringent demands for high product quality, reliability, ease of maintenance, economy in purchase and low life time costs.

Superb operator and maintenance features, giving real operator benefits:

- ▶ Traditional rotary lobe pump design
- ▶ Stainless steel 316L (DIN1.4404) contact parts
- ▶ Used throughout the whole of the process industry
- ▶ ATEX compliant
- ▶ Tri-lobe or multi-lobe rotor forms
- ▶ Flush rotor retention
- ▶ Hygienic flush front cover design
- ▶ Universal mounting with bolt on feet
- ▶ Easy to change shaft and port orientation
- ▶ Self draining when ports vertical
- ▶ Low shear
- ▶ Externally mounted shaft seals
- ▶ Mechanical seals or simple 'O' ring seal
- ▶ Operates in either direction
- ▶ Standard 0.8µm Ra machine finish
- ▶ Enhanced surface finishes available
- ▶ Scratch resistant powder coated finish on MP10 - MP30
- ▶ Two pack epoxy finish on MP40 & MP50
- ▶ Protected front oil seals, prevents ingress of water from pressure washers
- ▶ Simpler to maintain

Clean and crevice free front cover. No product build up and hygienic in operation. Optional relief valve or heating jacket may be fitted.

Rotor spline area fully sealed front & rear with 'O' rings to maintain a high degree of cleanliness & facilitate easy rotor removal.

Fully swept pump chamber.

Full range of threaded and flanged connections, welded and polished internally for maximum hygiene.

Flush fitting rotor retainers offer increase cleanliness and security.

Fully ATEX compliant gland guard. Cannot be removed without the use of hand tools for increased safety whilst giving full visual access for seal inspection.

Modular design giving ease of maintenance and application

Cast iron bearing housing giving stability across the pump operating range

Heavy duty needle races at the rear afford full stability for belt or chain driven pumps.

Stainless steel bolt on feet for universal mounting at 90° increments

Powder coated or epoxy finish. Durable, hygienic and easy clean surfaces.

ATEX compliant oil filler/breather cap.

Helical timing gears Low noise & high torque transmission.

All 316L stainless steel product contact parts to give compatibility across the process industries

Heavy duty cast iron gear case

Double taper roller bearings High loads giving axial and radial stability

VERSITILITY AND SAFETY

For maximum flexibility, the feet of the pump may be removed and re-set to change the drive and port orientation to operate with the ports in a horizontal or a vertical position or to accommodate a top or bottom shaft drive. For heat sensitive applications, jackets may be fitted to the rotorcase and/or front cover to either heat or cool the pump head. To protect the pump, a spring or air loaded relief valve may be fitted to the front cover. This can be set on site to protect the pump from over pressurisation and is available with air operation for automated CIP process.

STAYS CLEANER

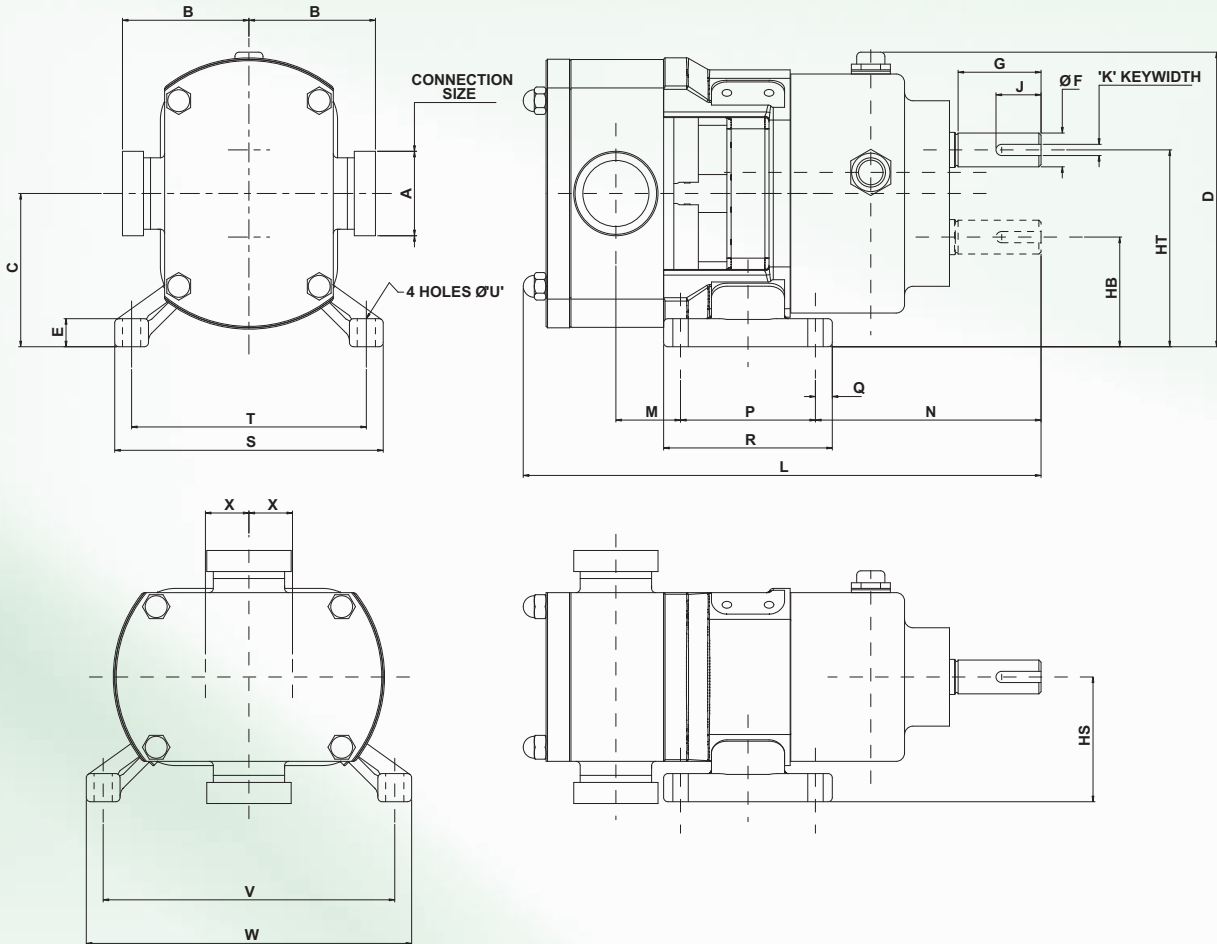
Hygienically designed, it produces a gentle pumping action for delicate liquids with soft solids as found in the food industry. The robust, stainless steel construction is suited to the aggressive slurries and pastes of the chemical industry. For hygiene and corrosion resistance all product-wetted parts are manufactured from AISI 316L (DIN1.4404) stainless steel.

EASIER MAINTENANCE

The mechanical seals are of cartridge design with the rotary seal retention isolated from the pumped medium giving improved operation and easier assembly, setting and maintenance. Available in single, flushed or double seal configurations, all seal combinations use the same component wearing parts.

MultiPump technical specifications

Technical specifications



Disclaimer: Dimensions are for guidance only. Please refer to our technical office if a certified drawing is required.

Measurements in millimetres (mm)

MODEL	A	B1	B2	B3	B4	B5	C	D	E	F	G	HB	HS	HT	J	K	L	M	N	P	Q	R	S	T	U	V	W	X	Weight (Kg)
MP10/0005	25	89	89	103	103	103	74	157	10	18 j6	28	48	63	100	25	6	249	47.5	116.4	45	10	65	146	126	8.5	162.5	183	26	13
MP10/0008	40	89	111	103	103	103	74	157	10	18 j6	28	48	63	100	25	6	264	54.5	116.4	45	10	65	146	126	8.5	162.5	183	26	14
MP10/0011	40	89	111	103	103	103	74	157	10	18 j6	28	48	63	100	25	6	276	65.5	116.4	45	10	65	146	126	8.5	162.5	183	26	15
MP20/0020	40	98	120	112	112	112	109	219	20	24 j6	59	78	88.75	140	32	8	349	35	160.5	96	12	120	195	167	11	207.5	235.5	31	28
MP20/0031	50	98	120	112	112	120	109	219	20	24 j6	59	78	88.75	140	32	8	369	46	160.5	96	12	120	195	167	11	207.5	235.5	31	31
MP30/0069	50	124	146	138	138	146	133.5	272	25	38 k6	69.5	87	111.3	180	40	10	443	60.6	196.5	115	15	145	258	228	13	272.3	302.3	46.5	71
MP30/0113	80	124	156	138	146	151	133.5	272	25	38 k6	69.5	87	111.3	180	40	10	478	80.6	196.5	115	15	145	258	228	13	272.3	302.3	46.5	77
MP40/0180 Horizontal	80	159	191	173	181	186	177	343	23	48 k6	110	114	175	240	90	14	647	163	262.8	120	22.5	165	220	184	18	-	-	63	150
MP40/0180 Vertical																		131	230.75	184	18	220	-	-					
MP40/0250 Horizontal	100	163	206	173	181	186	177	343	23	48 k6	110	114	175	240	90	14	679	181.25	262.8	120	22.5	165	220	184	18	-	-	63	162
MP40/0250 Vertical																		149.5	230.75	184	18	220	-	-					
MP50/0351 Horizontal	100	188	235	202	210	215	215	422	30	60 m6	104	135	205	295	59	18	755	212	285	150	25	200	260	220	20	-	-	80	252
MP50/0351 Vertical																		168	241	238	20	278	-	-					
MP50/0525 Horizontal	150	N/A	N/A	182	182	N/A	215	422	30	60 m6	104	135	205	295	59	18	815	240	285	150	25	200	260	220	20	-	-	80	274
MP50/0525 Vertical																		196	241	238	20	278	-	-					

B1 applies for all threaded connections except BSPT and NPT
 B2 applies for BSPT and NPT thread connections
 B3 applies for all flange connections except ASA150, BS4504 and ASA300
 B4 applies for ASA150 and BS4504 flange connections
 B5 applies for ASA300 flange connections

Wright Flow Technologies, versatile in application...



Fresh Organic Soups....

To produce a fresh, organic vegetable soup needs care and application knowledge. At Wright Flow Technologies we know how to handle particulates; we make pumps to handle florets of cauliflower and broccoli, whole beans and pulses, tomatoes and tofu, exactly to your requirements.



Pet Foods....

Feed for our animals require the same standard of care and hygiene as that for food for human consumption. We can produce pumps with special hardened internals to handle everything from the raw ingredients such as chicken viscera and fats, to the finished gravies and sauces.



Personal Care Products....

Personal care products need special handling. Many are very sensitive, some, like toothpastes are abrasive, others, like mascara are very, very thick and sticky. When we select a pump, we take care to ensure that it meets the needs of the customer.



Culinary Sauces....

We handle a wide variety of applications for all the major producers of culinary sauces. Finished cook-in sauces, condiment sauces such as mustard, horseradish and mint, through to apple and cranberry sauces. Selecting the correct pump at the right speed is most important otherwise delicate particulates can be damaged, emulsions cracked and product quality reduced.



Chocolate....

We know the importance of the gentle handling of finished chocolate, not to draw the temper, the requirements of low shear, and the need to maintain a constant temperature. Handled badly, the texture and taste of chocolate can easily change, to produce a quality chocolate, you need a quality pump.



Pharmaceutical and Biotechnology...

Most pharmaceutical applications require rigorous cleanliness, FDA approved materials and full material traceability. At Wright Flow Technologies we can meet these requirements. All our product contact components are in 316L stainless steel, high standards of hygiene are assured with many of our pumps being EHEDG certified and all having 3A certification. So from inhalants to cough syrups, injectables to creams; Wright Flow Technologies has the solution



Dairy Cream....

Hygiene is one of the most important factors in the dairy industry, so is the knowledge of product handling. Dairy creams require different handling solutions according to the fat content and pumping temperature. At Wright Flow Technologies, we know about cream and make the pumps to pump it, so when we pump your cream, you end up with high quality clean cream with the fats firmly still in solution.



Chemical and Industrial...

All our pumps have 316L (DIN1.4404) contact parts and are suitable for chemical applications. Should you need a more exotic alloy with superior chemical resistance.... we can deliver pumps in Hastelloy C22 and other materials, supply seals with Perfluorolastomer elastomers and ATEX compliant pumps with drive sets for the most stringent and hazardous environments.

Technical Specifications

Pump Performance Parameters

Model Multipump	Litres /rev.	Pressure Bar	Port Ø mm	Max Speed RPM
MP10/0005/12	0.046	12	25	1400
MP10/0008/08	0.083	8	40	1400
MP10/0011/05	0.111	5	40	1400
MP20/0020/12	0.202	12	40	1000
MP20/0031/07	0.313	7	50	1000
MP30/0069/12	0.694	12	50	750
MP30/0113/07	1.125	7	80	750

Model Multipump	Litres /rev.	Pressure Bar	Port Ø mm	Max Speed RPM
MP40/0180/12	1.800	12	80	700
MP40/0250/07	2.500	7	100	700
MP50/0351/12	3.514	12	100	650
MP50/0525/08	5.250	8	150	650
MP50/0525/12	5.250	12	150	150

MP50/0525 High Pressure Pump

The Pump has been developed to serve the market requiring differential pressure handling capabilities to 12 Bar continuous with intermittent peaks to 28 Bar.

Superb operator and maintenance features, giving real operator benefits:

- * Maximum Differential pressure rating 28 Bar
- * Excellent cleanability characteristics, far superior to Waukesha® style pumps

- * Simple to maintain and low ownership costs
- * Rugged rotary lobe pump design

Examples of Applications served with this product:

Food and Beverage:

- * Loading and unloading into tankers (ships) and trucks
- * Bulk Juice and frozen Juice transfer
- * Filter Press Applications (Spent Grain)
- * Grain / Vegetable Oil Processing
- * Sugar / Starch / Glucose

Chemical and Industrial:

- * Asphalt / Tar Processing
- * Glues & Adhesives
- * Greases & Lubricants
- * Paints, Pigments and Paper Coating
- * Petrochemical and Bio Fuel Processing



Wright Flow Technologies

Our products are used across the whole of the process industries in applications as diverse as paper & pulp production through to the extreme hygiene end of the pharmaceutical industry on injectables and blood processing. We manufacture within our organization rotary lobe, centrifugal, circumferential piston, air operated double diaphragm and dosing pumps, all manufactured and designed with hygiene, cleanliness, affordability and robustness in mind. These pumps coupled with our range of hygienic turbine and magnetic flow meters, our full range of sanitary valves and our powder mixing technology from Quadro, gives a complete package for the modern high-tech process industries of today.

For more information, contact your local authorized Wright Flow Technologies Distributor or contact us at:



Wright Flow Technologies, Inc.

S84 W18693 Enterprise Drive Muskego, WI 53150
Phone: (262) 679-8000 Fax: (262) 679-2026
Email: info.wright@idexcorp.com

Wright Flow Technologies Ltd.

Highfield Industrial Estate, Edison Road Eastbourne
East Sussex, United Kingdom, BN23 6PT
Phone: +44 1323 509211 Fax: +44 1323 507306
E-mail: jinfor@idexcorp.com

ASIA-PACIFIC

China	Beijing	- Phone: +86-10-6522-7567/27	Fax: +86-10-6522-7563
	Chengdu	- Phone: +86-28-86767458	Fax: +86-28-86767468
	Guangzhou	- Phone: +86-20-3886-6156	Fax: +86-20-3886-2776
South Asia	Shanghai	- Phone: +86-21-5241 5599	Fax: +86-21-5241 8339
	India	- Phone: +91-22-6678-0048/53	Fax: +91-22-6678-0055
ASEAN	Singapore	- Phone: +65-6763-6633	Fax: +65-6764-4020
Middle East	Dubai	- Phone: +971-4-225-7978	Fax: +971-4-225-9796
Oceania		- Phone: +91-22-6678-0048/53	Fax: +91-22-6678-0055

LATIN AMERICA

Brazil	- Phone: +55-19-3871-3500	Fax: +55-19-3871-6400
Caribbean	- Phone: +1 (305) 740-3365	Fax: +1 (305) 740-3372
Cono Norte/Central America	- Phone: +57 1 648 2761	Fax: +57 1 274 3453
Cono Sur	- Phone: +1 (803) 234-3004	Fax: +1 (803) 216-7670
Mexico	- Phone: +52 55 5255-1357	Fax: +52 55 5255-1356

Visit us online at:

www.wrightflowtechnologies.com
www.johnsonpump.com
www.wrightpump.com

